

New fork King Size L195 ... The Queen of Snacking!



Your new snacking's ally

ROVIP offers you its new L195 fork with a generous and greedy shape. A larger fork with an ergonomic and handy design allow the consumer an easy and safe handling.



Cleanliness



Strength



Lightness



Pick



Folded in half or assembled delivered, this fork can be used in all packaging

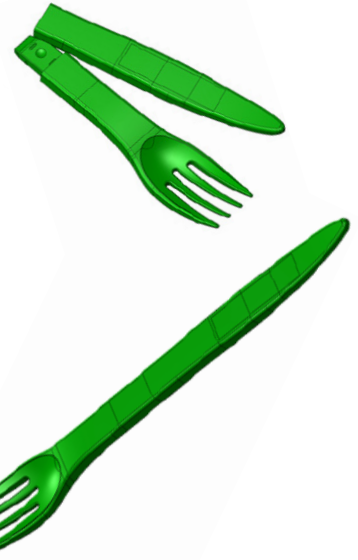
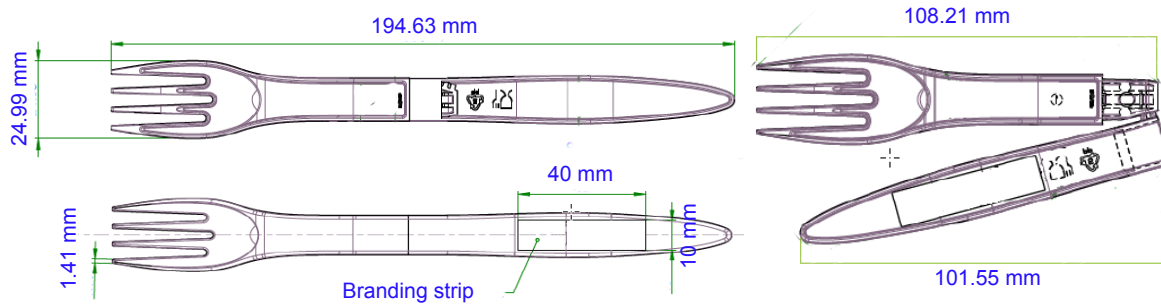
- The fork L195 must be put together before using and will stretch out its big size to stand tall regardless of the packaging.
- Assembled, this fork allows the consumer to keep the finger clean and to collect food to the bottom of the highest packaging: Convenience and property guaranteed

In solo or duo, with family or with friends, at the office, at home or on holiday, at the table, on a sofa, with a TV dinner or in front of the computer ... The snacking will be enjoyed with suitable forks

With the fork, join the big league of snacking!

Product specification

New fork King Size L195



TECHNICAL CHARACTERISTICS

- **Raw material:** food PP
- **Colour:** natural or color on request
- **Part weight:** 5,4g (guide value)

REGULATION

- **In compliance with the European food regulation** n° 10/2011/CE
- **Food certificate** on request



QUALIFICATIONS

- **Metrological checking** in relation to the parts definition drawings
- **Cleanliness, appearance, functionality and size controls** according to internal control ranges

Discover our know-how on the food market on
WWW.MYROVIPACK.COM



PACKAGING

Box dimensions: 590 x 390 x 425 mm
 Quantity per box: 1 920 parts (+/- 1%)
 Quantity per pallet: 30 720 parts
 Presence of bag cover: yes
 Storage: in bulk
 Pallet dimensions: 1 200 x 800 mm
 Pallet height: 1 820 mm



ROVIPGroupe

1 route de la Chartreuse
 Dhuys - Chavannes sur Suran
 01250 Nivigne et Suran
 FRANCE

+33 (0)4 74 50 95 08
info@rovip.com